

A
SECTION **EX** EX
EXHAUST SYSTEM C

D
E
CONTENTS

PREPARATION	2	REMOVAL	4	F
Commercial Service Tools	2	INSTALLATION	4	
EXHAUST SYSTEM	3	Inspection After Installation	5	
Checking Exhaust System	3	SERVICE DATA AND SPECIFICATIONS (SDS)	6	G
Removal and Installation	3	Tightening Torque	6	

H
I
J
K
L
M

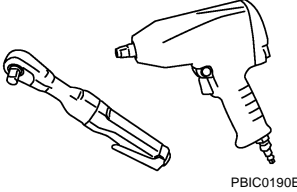
PREPARATION

PREPARATION

PFP:00002

Commercial Service Tools

ABS00021

Tool name	Description
Power tool 	Loosening nuts and bolts

EXHAUST SYSTEM

- Temporarily tighten mounting nuts. Check each part for unusual interference, and then tighten them to the specified torque.
- When installing each mounting rubber, avoid twisting or unusual extension in up/down and right/left directions.

A

Inspection After Installation

ABS0002Z

EX

- With the engine running, check exhaust tube joints for gas leakage and unusual noises.
- Check to ensure that mounting brackets and mounting rubbers are installed properly and free from undue stress. Improper installation could result in excessive noise and vibration.
- Make sure that clearance between finisher and rear bumper is even.

C

D

E

F

G

H

I

J

K

L

M

SERVICE DATA AND SPECIFICATIONS (SDS)

SERVICE DATA AND SPECIFICATIONS (SDS)

PFP:00030

Tightening Torque

ABS00032

Unit: N·m (kg-m, ft-lb)
Unit: N·m (kg-m, in-lb)*

Exhaust system connections	
Between three way catalyst and exhaust front tube	52.5 (5.4, 39)
Between exhaust front tube and center muffler	40.7 (4.2, 30)
Between center muffler and main muffler	40.7 (4.2, 30)
Exhaust mounting bracket	28.5 (2.9, 21)
Center muffler mounting bracket	14.2 (1.4, 10)
Main muffler mounting bracket	14.2 (1.4, 10)
Finisher	5.8 (0.59, 51)*